

# Firmware Release Notes

BERNINA International AG · Seestrasse 161 · CH-8266 Steckborn

## *Firmware Version*

- b70: V10.51
- b79: V10.67

### Table of contents

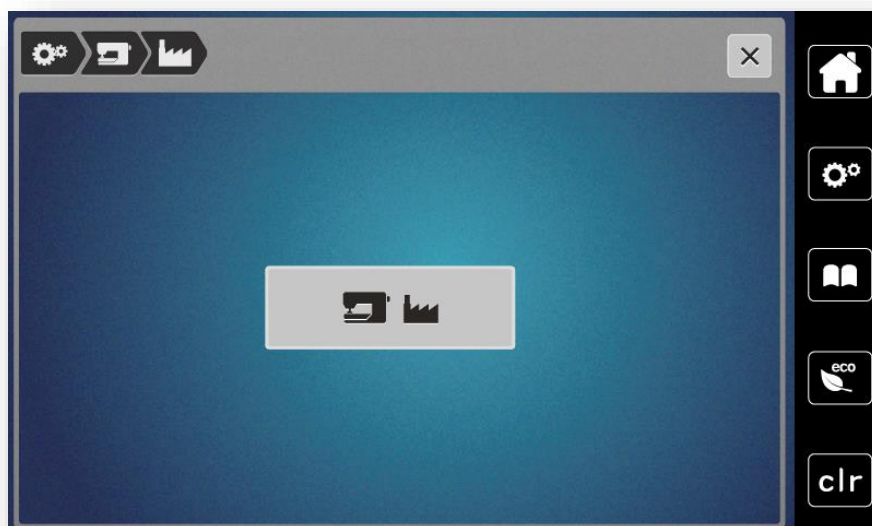
Firmware Version.....	1
Release Notes .....	2
1. General.....	2
1.1. Factory settings simplified (b70).....	2
1.2. Auto-cutter cleaning message (b70, b79).....	2
1.3. Auto thread cutter improved .....	3
2. Sewing.....	3
2.1. Combi mode improved (b79).....	3
3. Embroidery .....	4
3.1. CutWork/embroidery design combinations (b70, b79).....	4
Previous versions .....	4

## Release Notes

### 1. General

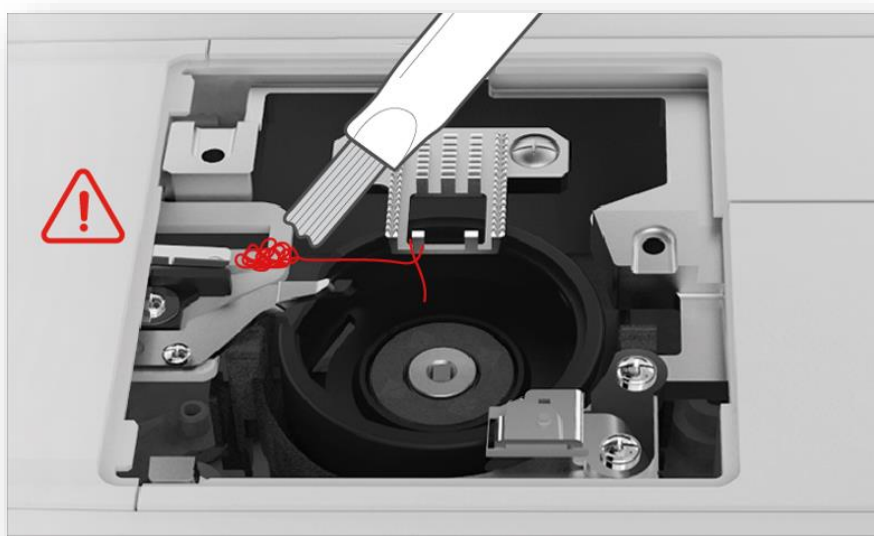
#### 1.1. Factory settings simplified (b70)

The factory settings on the b70 have been simplified.



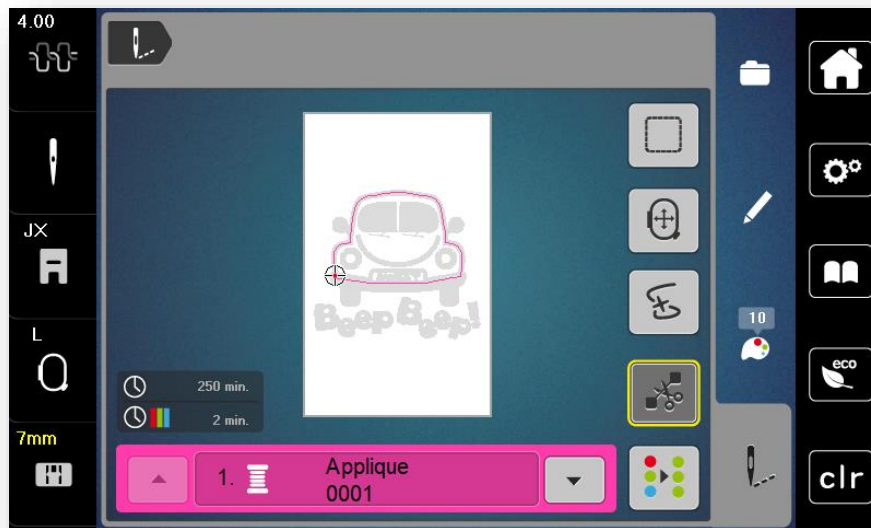
#### 1.2. Auto-cutter cleaning message (b70, b79)

A new message will appear if the auto-cutter gets stuck, showing to clean the auto cutter.



## 1.3. Auto thread cutter improved

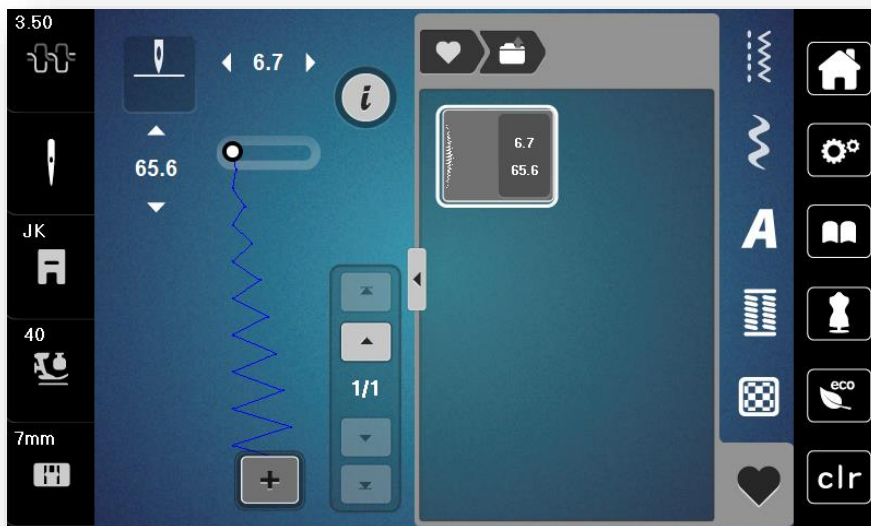
The timing of auto thread cutter was improved to avoid threads from jumping out of the needle when thread is cut.



## 2. Sewing

### 2.1. Combi mode improved (b79)

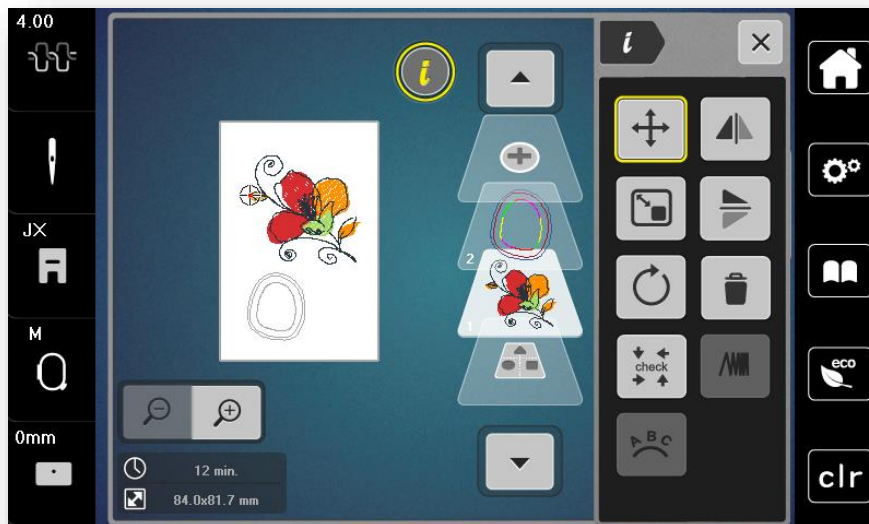
Stitch designs which are saved with changed values, are now stitched out with the changed values when used in combi mode.



## 3. Embroidery

### 3.1. CutWork/embroidery design combinations (b70, b79)

With CutWork/embroidery design combinations, the embroidery designs can now be edited when selected.




---

## *Previous versions*

- b70: V1.22, V2.25, V3.28, V5.34, V6.36, V7.41, V8.43, V9.49
- b79: V1.26, V2.31, V3.38, V5.45, V6.49, V7.56, V8.59, V9.65